

Certification and Approval

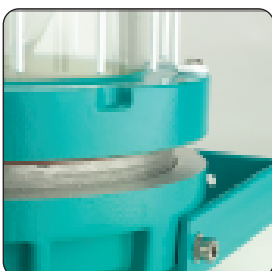
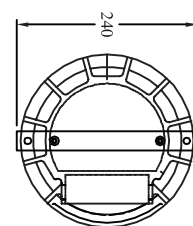
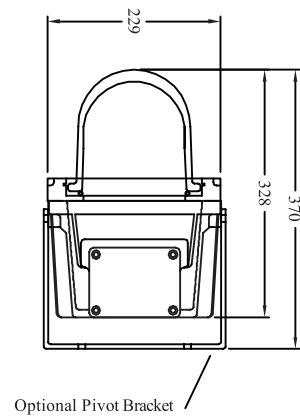
Certification Code	EEx de II 2 GD IIC T3 and 4 (See lamp tables for T rating)
Certification number	SIRA 00 ATEX I048
Certification standard	EN 60079-0, I, 7
Protection	IP 66

Features Options

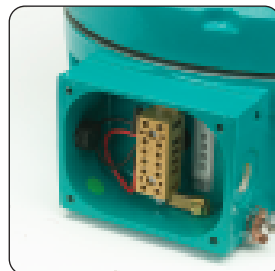
Range of lamp sources available
 IIC as standard
 Heavy duty construction
 Integral EEx e Terminal chamber

Range of lamp sources
 Low and high temperature versions
 Internal and external reflectors
 Coloured glass range

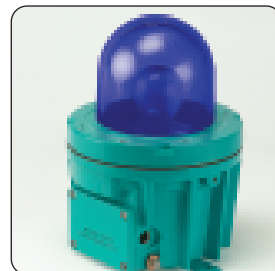
FOR AMBIENT TEMPERATURE "T" RATINGS SEE TABLES AT REAR OF CATALOGUE



610 Threaded flame path



Terminal block access



610 blue lens

Technical Data

Supply Voltage	240v 50Hz Check for alternative voltages
Operating Temperature	-45°C to +70 °C
Control Gear (when Fitted)	Ballast, ignitor and capacitor can be fitted within the luminaire
Lamp Options	Certified with elliptical lamps (Lamps not provided) 50w, 70w, 110w SON-E and 70w SON-R 50w, 80w ,125w HPMV/MBF 25w SL or 20w PLCE 150w GLS with ES (E27) lamp holder. BC holder also available
Cable Entries	2 x M20 – ISO (1 plugged) as Standard Other threads available.
Terminals	4 (4mm) wire and earth with looping facility Cable crimping required at installation when looping
Mounting Facility	Back mounted fixing strap
Access	Terminals accessed via terminal cover retained by cap screws Lamp and gear accessed via removable glass dome
Material	Corrosion resistant marine grade aluminium body and bezel Toughened Borosilicate glass dome
Finish	2 Pack epoxy paint on primed surface. Standard colour - Aqua Additional costs for non standard colours
Accessories	Internal or external reflector Pivot bracket for directional control Pendant mount Wire Guard
Weight	9kg to 12kgs lamp dependant
Features	70°C ambient option available IIC as standard Heavy duty construction