

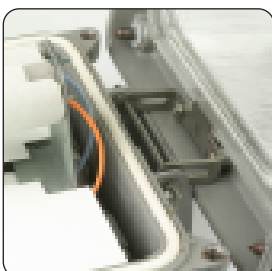
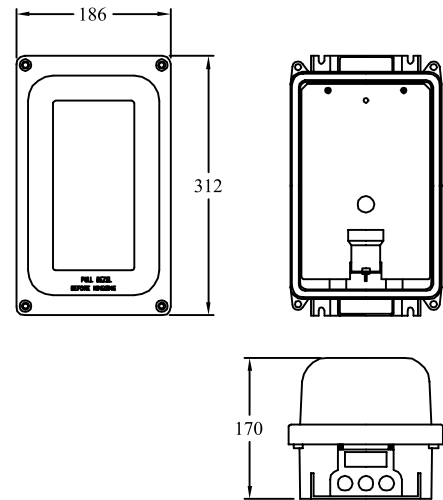
Certification and Approval

Certification Code	EEx nC II 3GD T3 (See lamp tables for T rating)
Certification number	03 ATEX TFDN/01
Certification standard	EN 60079-0, 15
Protection	IP 65

Features Options

Rapid lamp and control gear access
 Even light distribution
 Hinged lens opening

Lamp source variants
 Power factor correction
 Various lamp options available



Hinged lens opening



Screwed bezel fixings



Integral mounting feet

