

621 Ex d e Bulkhead

Zones: **1** **2** **21** **22** Cat: **2**



Heavy duty, versatile bulkhead fitting. Can be supplied with a range of light sources including PLCE, SON and halogen.

Wattages up to 2 x 70W may be installed in the equipment. Suitable for Zone 1 gas and dust environments, this luminaire features an integral terminal chamber, additional external earthing and fixed or pivoting mounting brackets. External reflectors are available and coloured glass versions may be supplied.

- ✓ Group IIC - suitable for all gas environments
- ✓ Marine grade aluminium construction
- ✓ Low installation costs with integral Ex 'e' terminal chamber (inexpensive cable glanding, loop in loop out cabling)
- ✓ 240V 50Hz Check for alternative voltages
- ✓ -20°C to +40°C ambient supplied as standard. For operation up to 100°C ambient consult sales office prior to ordering
- ✓ Certified with elliptical lamps (Lamps not provided) or 70W SON. Single & twin halogen. Compact fluorescent versions also available



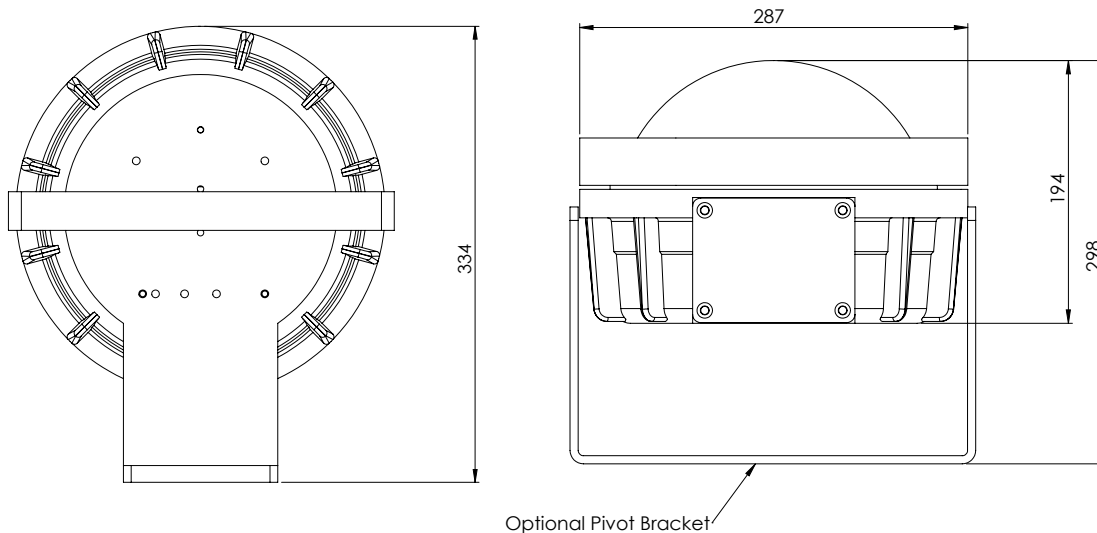
Specifications & Options

Label Marking	Ex d e IIC Gb T* Ex tb IIIC Db T*	Certificate Standards	EN 60079, EN 61241, IEC60079, IEC61241
Zoned areas	Zones 1, 2, 21 & 22	Certificate No.s	Sira 00 ATEX 1047 IEC Ex SIR 09.0028
Ambient range (max)	-20°C to +100°C - see lamp types	IP rating	IP66
Material	Marine grade aluminium body & bezel, borosilicate glass dome		
Cable entries	2 x M20 iso (1 plugged) as standard. Other threads available		
Electrical connections	4 wire and earth. 4mm ² max cable size, with looping facility		
Light source	Various.		
Light output	Various, depending on lamp choice.		
Supply voltage (s)	220-240V , 110-120V. Call for details of other available versions.		
Installation / Mounting	Rear mounted fixing bracket		
Control gear	Electro-magnetic ballast, ignitor & capacitor		
Dimensions	334mm x 287mm x 194mm		
Weight	12.5-16.0kg (lamp dependent)		

We offer a lighting design service

621 Ex d e Bulkhead

Spares and accessories available
Refer to main catalogue



ORDERING INFORMATION

621 IIC Bulkhead Fittings	Part Number	Description	Light Source	Power consumption
	621C/Halogen/Lamps/Wattage	Halogen version	Halogen / Twin Halogen	Halogen 1 x 70watt, 2 x 70watt
	621C/70W/SON-E/240/50	70W SON-E	SON - Elliptical	70 Watt
	621/C/SL/25	25W SL	SL	25 Watt
	621/C/PLCE/20	20W PLCE	20W PLCE compact lamp	20 Watt

621 IIC High Temperature Bulkhead Fittings	Part Number	Description	Light Source	Power consumption
	621C/Halogen/Lamps/Wattage	Halogen version	Halogen/Twin Halogen	Halogen. 1 x 70 Watt 2 x 70 Watt
	621/C/70W/SON-E/240/50	70W SON-E	SON-Elliptical	70 Watt SON-E

For safer hazardous areas call us today on

0121 783 7161

sales@petrel-ex.co.uk | www.petrel-ex.co.uk



Petrel
.....
Hazardous Area Lighting Solutions