

660L LED Ex d e Luminaire

Zones: **1** **2** **21** **22** Cat: **2**

Heavy duty versatile Bulkhead for hazardous areas.

LED Bulkhead with up to 3,500lm output suitable for zone 1 gas and zone 21 dust environments, this luminaire features an integral terminal chamber, external earthing and fixed or pivoting mounting brackets.

- ✓ Group IIC - suitable for all gas environments
- ✓ Marine grade aluminium construction
- ✓ Low installation costs with integral 'e' terminal chamber (inexpensive glanding, loop in loop out cabling)
- ✓ 120VAC/DC, 230VAC/DC, 24VAC/DC
- ✓ -20°C to +100°C Versions are available. See product selection chart
- ✓ Certified with integral LED module



Specifications & Options

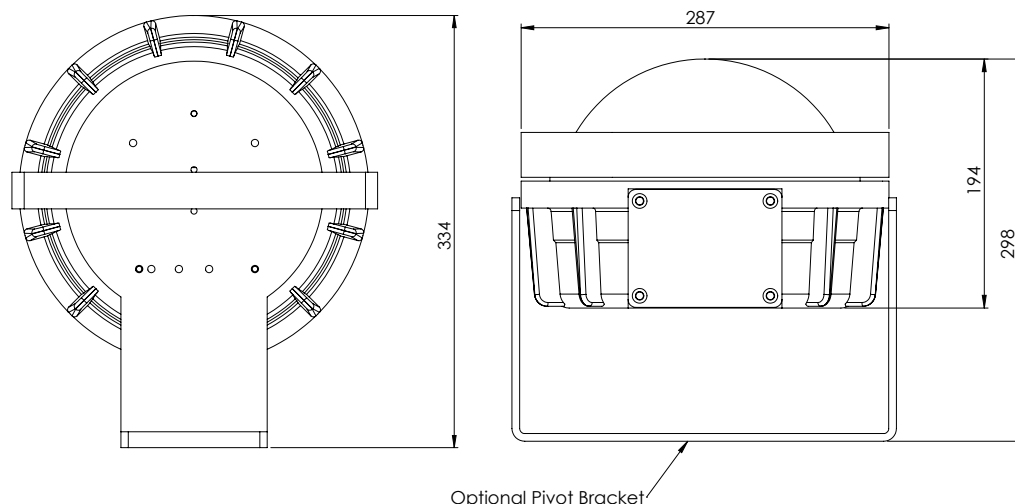


Label Marking High Temperature	Ex II 2GD Ex d e IIC T3 Gb Ex tb IIIC T200°C Db -20°C to 100°C Ex II 2GD Ex d e IIC T4 Gb Ex tb IIIC T135°C Db -20°C to 95°C	Certificate Standards	CE, ATEX, IECEx IEC/EN60079 -0, -1, -7, -31
Label Marking Standard Temperature	Ex II 2GD Ex d e IIC T5 Gb Ex tb IIIC T100°C Db -20°C to +60°C Ex II 2GD Ex d e IIC T6 Gb Ex tb IIIC T85°C Db -20°C to +45°C	Certificate No.s	SIRA 00ATEX1047 IECEX SIR09.0028
Zoned areas	Zones 1, & 21	IP rating	IP66
		Ambient range	Standard: -20°C to + 60°C (45°C) High: -20°C to +100°C (95°C)

Material	Marine grade aluminium body with borosilicate glass dome
Cable entries	2 x M20 ISO (1 plugged) as standard. Other threads available
Electrical connections	4 (4mm ²) wire and earth with looping facility
Light source	LED 4000K
Light output	3100 Luminaire Lumens @ nominal voltage (230VAC)
Supply voltage (s)	120VAC/VDC = 108 - 132VAC/DC 230VAC/VDC = 207 - 253VAC/DC 24VAC/VDC = 22 - 26VAC/DC
Power	42W - 69W depending on variant
Installation / Mounting	Back mounted fixing bracket (supplied)
Control gear	Integral on LED module
Dimensions	334mm x 287mm x 194mm
Weight	12.5kg

We offer a lighting design service

660L LED Ex d e Luminaire



inrush	0.3A max
THD	10%
THC	0.03A
PF	>0.99

It is recommended to limit the operational time to 20 minutes maximum when operating the luminaire in constant ambient temperatures above 70°C in order to prolong the life of the LEDs. Replacement LED modules are available as spares.

ORDERING INFORMATION

660L Standard Temperature Luminaire	Part Number	Voltage	Description	Light Source	Power Consumption
	660L/24	24VAC	24V Standard	LED -1800lm	42W
	660L/24	24VDC	24V Standard	LED -3200lm	60W
	660L/120	120VAC	120V Standard	LED -3100lm	60W
	660L/120	120VDC	120V Standard	LED -2300lm	48W
	660L/230	230VAC	230V Standard	LED -3100lm	60W
	660L/230	230VDC	230V Standard	LED -3500lm	69W

660L High Temperature Luminaire	Part Number	Voltage	Description	Light Source	Power Consumption
	660L/24/HT	24VAC	24V Hi Temp LED	LED -1800lm	42W
	660L/24/HT	24VDC	24V Hi Temp LED	LED -3200lm	60W
	660L/120/HT	120VAC	120V Hi Temp LED	LED -3100lm	60W
	660L/120/HT	120VDC	120V Hi Temp LED	LED -2300lm	48W
	660L/230/HT	230VAC	230V Hi Temp LED	LED -3100lm	60W
	660L/230/HT	230VDC	230V Hi Temp LED	LED -3500lm	69W

Accessories	Part Number	Description
	5H17410003	Wire Guard
	2H63062001	Swivel Bracket

For safer hazardous areas call us today on

0121 783 7161

sales@petrel-ex.co.uk | www.petrel-ex.co.uk



Petrel
 Hazardous Area Lighting Solutions