

The brand new LED Area Flood Light range is a highly efficient luminaire that boast a class leading light output from 13,000 to 28,000 Lumens (Subject to variant).

Certified for use in Zone 1, 21, 2, 22 this is a modern and versatile range of luminaires. The high quality corrosion resistant aluminium body gives excellent durability in any Zone 1 & 2 hazardous environment. The LED light engine provides a long service life which is virtually maintenance free. All products in the range are offered with a light engine warranty of up to 5 years. The whole range offers industry leading performance in terms of lumen per watt efficacy.

- ✓ Low maintenance LED light source
- ✓ Industry leading performance in terms of lumen per watt efficacy
- ✓ High quality corrosion resistant aluminium alloy body
- ✓ Durable construction
- ✓ Long service life with light engine warranty of up to 5 years
- ✓ Virtually maintenance free
- ✓ Steel swivel mounting bracket
- ✓ A simple design ensuring that the product is easy to install and use
- ✓ A robust design that has been tested to the highest possible rating of IK10
- ✓ Supplied with tempered glass lens as standard with optional chemical and scratch resistant polycarbonate lens



Specifications & Options

Label Marking Z1 @ 55°C	II 2 G Ex eb mb op is IIC T5 Gb II 2 D Ex tb op is IIIC T100°C Db
Label Marking Z1 @ 44°C	II 2 G Ex eb mb op is IIC T6 Gb II 2 D Ex tb op is IIIC T85°C Db
Label Marking Z2 @ 55°C	II 3 G Ex ec mc IIC T5 Gc II 3 D Ex tc IIIC T100°C Dc
Label Marking Z2 @ 44°C	II 3 G Ex ec mc IIC T6 Gc II 3 D Ex tc IIIC T85°C Dc
Zoned areas	Zones 1, 21, 2, 22

Ambient range (max)	-40° to +55°C (T5) -40° to +44°C (T6)
Certificate No.s Z1	CML 17ATEX3027X IECEX CML 17.0018X
Certificate No.s Z2	CML 17ATEX3036X IECEX CML 17.0018X
IP rating	IP66 & IP67

Material	Corrosion resistant aluminium alloy with tempered glass lens. Scratch and chemical resistant hard coated polycarbonate lens available as an option
Cable entries	2x M20
Electrical connections	4mm ² cage clamp for single or multi-stranded conductors
Light source	High Efficiency, maintenance free, long life LED array
Light output Z1	Various ranging up to 19,000lm depending on variant. See over for details. Other outputs available on request
Light output Z2	Various ranging up to 22,500lm depending on variant. See over for details. Other outputs available on request
Supply voltage (s)	120V- 240V AC 50/60 Hz as standard
Installation / Mounting	Steel swivel mounting bracket
Control gear	Integral within the luminaire
Dimensions	400mm x 400mm x 233mm (As per diagram overleaf)
Wattage	156W Other wattages available up to 216W on request
Weight	11kg



CIRCUIT BREAKER / INRUSH CURRENT GUIDE

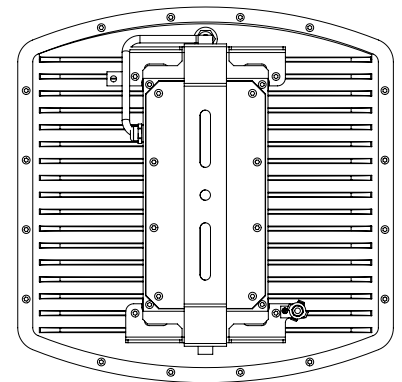
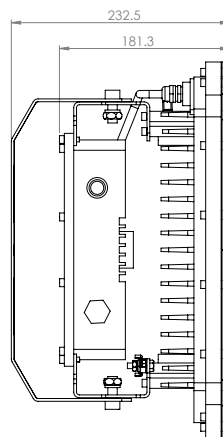
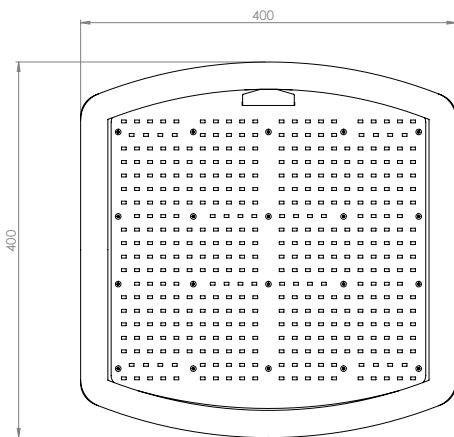
Model	No. of Luminaires per single pole Circuit Breaker				
	Type	10A	16A	20A	25A
ALED4/*/**/156	B	10	13	16	20
ALED4/*/**/156	C	14	18	22	26

Supply voltage @230 VAC, mains impedance = Ω
 In case of multi-pole CB the maximum number is reduced by 20%.

The maximum number may differ depending on CB manufacturer.

Please consult the manufacturer specifications.

Circuit Breakers with C characteristics are recommended for LED lighting circuits.



ORDERING INFORMATION

Part Number	Description	Light Output	Power consumption
ALED4/G/Z1/156	400mm Frame Zone 1 Glass Lens	19,000lm	156W
ALED4/P/Z1/156	400mm Frame Zone 1 Polycarb Lens	18,000lm	156W
ALED4/G/Z2/156	400mm Frame Zone 2 Glass Lens	22,500lm	156W
ALED4/P/Z2/156	400mm Frame Zone 2 Polycarb Lens	21,000lm	156W
ALED4/G/IND/156	400mm Frame Industrial Glass Lens	22,500lm	156W
ALED4/P/IND/156	400mm Frame Industrial Polycarb Lens	21,000lm	156W

For safer hazardous areas call us today on

0121 783 7161

sales@petrel-ex.co.uk | www.petrel-ex.co.uk

