

The brand new LED Area Flood Light range is a highly efficient luminaire that boast a class leading light output from 24,000 to 28,000 Lumens (Subject to variant).

Certified for use in Zone 1, 21, 2, 22 this is a modern and versatile range of luminaires. The high quality corrosion resistant aluminium body gives excellent durability in any Zone 1 & 2 hazardous environment. The LED light engine provides a long service life which is virtually maintenance free. All products in the range are offered with a light engine warranty of up to 5 years. The whole range offers industry leading performance in terms of lumen per watt efficacy.

- ✓ Low maintenance LED light source
- ✓ Industry leading performance in terms of lumen per watt efficacy
- ✓ High quality corrosion resistant aluminium alloy body
- ✓ Durable construction
- ✓ Long service life with light engine warranty of up to 5 years
- ✓ Virtually maintenance free
- ✓ Steel swivel mounting bracket
- ✓ A simple design ensuring that the product is easy to install and use
- ✓ A robust design that has been tested to the highest possible rating of IK10
- ✓ Supplied with tempered glass lens as standard with optional chemical and scratch resistant polycarbonate lens



Specifications & Options

Label Marking Z1 @ 55°C	II 2 G Ex eb mb op is IIC T5 Gb II 2 D Ex tb op is IIIC T100°C Db	Ambient range (max)	-40° to +55°C (T5) -40° to +44°C (T6)
Label Marking Z1 @ 44°C	II 2 G Ex eb mb op is IIC T6 Gb II 2 D Ex tb op is IIIC T85°C Db	Certificate No.s Z1	CML 17ATEX3027X IECEX CML 17.0018X
Label Marking Z2 @ 55°C	II 3 G Ex ec mc IIC T5 Gc II 3 D Ex tc IIIC T100°C Dc	Certificate No.s Z2	CML 17ATEX3036X IECEX CML 17.0018X
Label Marking Z2 @ 44°C	II 3 G Ex ec mc IIC T6 Gc II 3 D Ex tc IIIC T85°C Dc	IP rating	IP66 & IP67
Zoned areas	Zones 1, 21, 2, 22		

Material	Corrosion resistant aluminium alloy with tempered glass lens. Scratch and chemical resistant hard coated polycarbonate lens available as an option
Cable entries	2x M20
Electrical connections	4mm ² cage clamp for single or multi-stranded conductors
Light source	High Efficiency, maintenance free, long life LED array
Light output Z1	Various ranging from 22,500 up to 24,000lm @216W
Light output Z2	Various ranging from 26,600 up to 28,000lm @216W
Supply voltage (s)	120V- 240V AC 50/60 Hz as standard
Installation / Mounting	Steel swivel mounting bracket
Control gear	Integral within the luminaire
Dimensions	400mm x 400mm x 233mm (As per diagram overleaf)
Wattage	216W (Lower wattages available)
Weight	11kg



CIRCUIT BREAKER / INRUSH CURRENT GUIDE

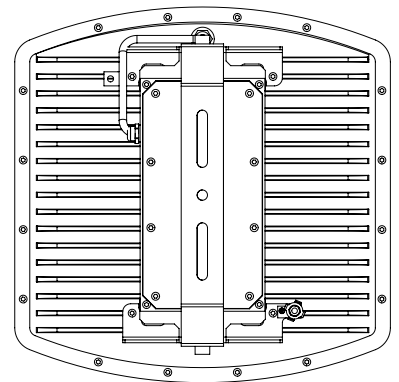
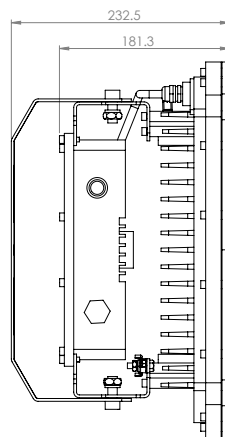
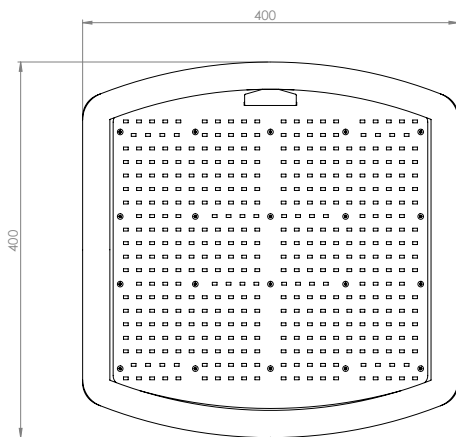
Model	No. of Luminaires per single pole Circuit Breaker				
	Type	10A	16A	20A	25A
ALED4/**/216	B	10	13	16	20
ALED4/**/216	C	14	18	22	26

Supply voltage @230 VAC, mains impedance = Ω
 In case of multi-pole CB the maximum number is reduced by 20%.

The maximum number may differ depending on CB manufacturer.

Please consult the manufacturer specifications.

Circuit Breakers with C characteristics are recommended for LED lighting circuits.



ORDERING INFORMATION

Part Number	Description	Light Output	Power consumption
ALED4/G/Z1/216	400mm Frame Zone 1 Glass Lens	24,000lm	216W
ALED4/P/Z1/216	400mm Frame Zone 1 Polycarb Lens	22,500lm	216W
ALED4/G/Z2/216	400mm Frame Zone 2 Glass Lens	28,000lm	216W
ALED4/P/Z2/216	400mm Frame Zone 2 Polycarb Lens	26,600lm	216W
ALED4/G/IND/216	400mm Frame Industrial Glass Lens	28,000lm	216W
ALED4/P/IND/216	400mm Frame Industrial Polycarb Lens	26,600lm	216W

For safer hazardous areas call us today on
0121 783 7161

sales@petrel-ex.co.uk | www.petrel-ex.co.uk

