

Our brand new Transportable LED Area Light range are highly efficient luminaires that boast a class leading light output from 5,000 to 12,500 Lumens (Subject to variant).

Certified for use in Zone 1, 21, 2, 22 this is a modern and versatile range of luminaires. The high quality corrosion resistant aluminium body and stainless steel frame gives excellent durability and portability in any Zone 1 & 2 hazardous environment. The LED light engine provides a long service life which is virtually maintenance free. The linkable version of our ATEX LED floodlight range allows multiple lights to be joined together so that much larger areas can be illuminated with only one power supply.

- ✓ Low maintenance high efficiency LED light source
- ✓ High quality corrosion resistant aluminium alloy body
- ✓ Durable construction
- ✓ Long service life
- ✓ Virtually maintenance free
- ✓ Steel swivel mounting bracket and frame
- ✓ Units are linkable via ATEX approved plug & socket arrangements
- ✓ A simple design ensures that the product is easy to install and use
- ✓ A robust design that has been tested to the highest possible rating of IK10
- ✓ Supplied with chemical and scratch resistant polycarbonate lens as standard. Tempered glass lens as an option

Zone 1, 2  
and  
Industrial  
versions  
available



## Specifications & Options

<b>Label Marking Z1 @ 55°C</b>	II 2 G Ex eb mb op is IIC T4 Gb II 2 D Ex tb op is IIIC T135°C Db	<b>Label Marking Z2 @ 55°C</b>	II 3 G Ex ec mc IIC T4 Gc II 3 D Ex tc IIIC T135°C Dc
<b>Label Marking Z1 @ 49°C</b>	II 2 G Ex eb mb op is IIC T5 Gb II 2 D Ex tb op is IIIC T100°C Db	<b>Label Marking Z2 @ 49°C</b>	II 3 G Ex ec mc IIC T5 Gc II 3 D Ex tc IIIC T100°C Dc
<b>Certificate No.s Z1</b>	CML 17ATEX3027X IECEX CML 17.0018X	<b>Certificate No.s Z2</b>	CML 17ATEX3036X IECEX CML 17.0018X
<b>Zone areas</b>	Zones 1, 21, 2, 22	<b>Ambient range (max)</b>	-40° to +55°C (T5) -40° to +44°C (T6)
<b>IP rating</b>	IP66 & IP67		
<b>Material</b>	Corrosion resistant aluminium alloy with scratch and chemical resistant hard coated polycarbonate lens as standard. Tempered glass lens as an option		
<b>Cable entries</b>	Flying lead as standard with plug and socket options		
<b>Electrical connections</b>	Atex plug & socket options available		
<b>Light source</b>	High Efficiency, maintenance free, long life LED array		
<b>Light output Z1</b>	Various ranging up to 10,500lm @86W		
<b>Light output Z2</b>	Various ranging up to 12,500lm @86W		
<b>Supply voltage (s)</b>	120V- 240V AC 50/60 Hz as standard		
<b>Installation / Mounting</b>	Steel swivel mounting bracket		
<b>Control gear</b>	Integral within the luminaire		
<b>Dimensions</b>	300mm x 300mm x 396mm		
<b>Wattage</b>	86W (Lower wattages available)		
<b>Weight</b>	10kg		

Different  
fitting and  
light output  
sizes  
available

## CIRCUIT BREAKER / INRUSH CURRENT GUIDE

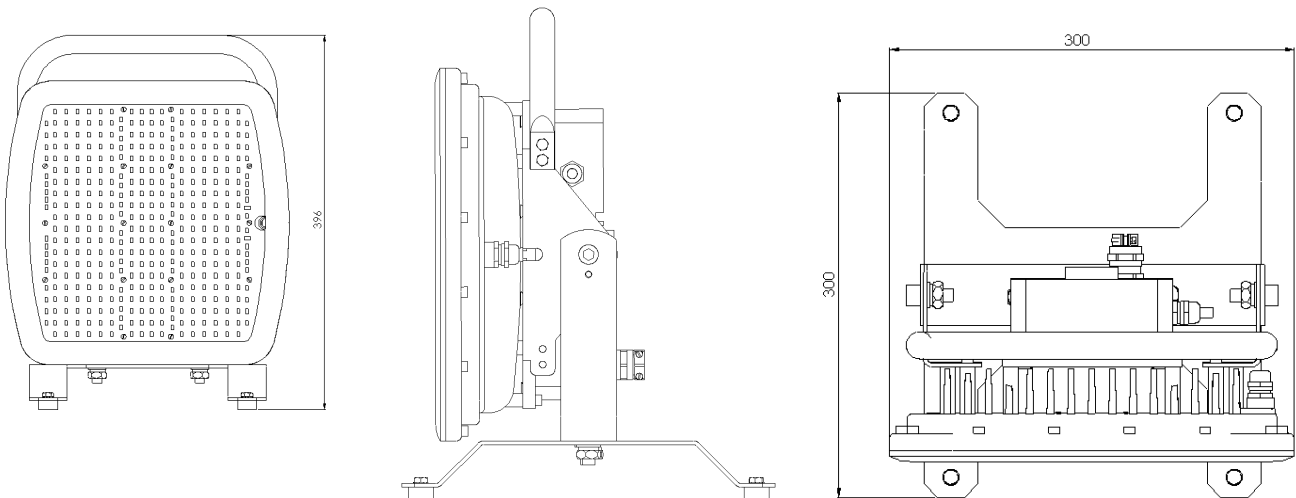
Model	No. of Luminaires per single pole Circuit Breaker				
	Type	10A	16A	20A	25A
TALED3/**/086	B	10	13	17	21
TALED3/**/086	C	17	22	27	31

Supply voltage @230 VAC, mains impedance =  $\Omega$   
 In case of multi-pole CB the maximum number is reduced by 20%.

The maximum number may differ depending on CB manufacturer.

Please consult the manufacturer specifications.

Circuit Breakers with C characteristics are recommended for LED lighting circuits.



## ORDERING INFORMATION

Part Number	Description	Light Output	Power consumption
TALED3/G/Z1/086	86W Zone 1 Glass Lens	10,500lm	86W
TALED3/P/Z1/086	86W Zone 1 Poly Carbonate Lens	10,000lm	86W
TALED3/G/Z2/086	86W Zone 2 Glass Lens	12,500lm	86W
TALED3/P/Z2/086	86W Zone 2 Poly Carbonate Lens	11,750lm	86W
TALED3/G/IND/086	86W Industrial Glass Lens	12,500lm	86W
TALED3/P/IND/086	86W Industrial Poly Carbonate Lens	11,750lm	86W

For safer hazardous areas call us today on  
**0121 783 7161**

[sales@petrel-ex.co.uk](mailto:sales@petrel-ex.co.uk) | [www.petrel-ex.co.uk](http://www.petrel-ex.co.uk)

