

The brand new LED Area Flood Light range is a highly efficient luminaire that boast a class leading light output from 4,500 to 6,000 Lumens (Subject to variant).

Certified for use in Zone 1, 21, 2, 22 this is a modern and versatile range of luminaires. The high quality corrosion resistant aluminium body gives excellent durability in any Zone 1 & 2 hazardous environment. The LED light engine provides a long service life which is virtually maintenance free. All products in the range are offered with a light engine warranty of up to 5 years. The whole range offers industry leading performance in terms of lumen per watt efficacy.

- ✓ Low maintenance LED light source
- ✓ Industry leading performance in terms of lumen per watt efficacy
- ✓ High quality corrosion resistant aluminium alloy body
- ✓ Durable construction
- ✓ Long service life with light engine warranty of up to 5 years
- ✓ Virtually maintenance free
- ✓ Steel swivel mounting bracket
- ✓ A simple design ensuring that the product is easy to install and use
- ✓ A robust design that has been tested to the highest possible rating of IK10
- ✓ Supplied with tempered glass lens as standard with optional chemical and scratch resistant polycarbonate lens



Specifications & Options

Label Marking Z1	II 2 G Ex eb mb op is IIC T6 Gb II 2 D Ex tb op is IIIC T85°C Db	Certificate No.s Z1	CML 17ATEX3027X IECEX CML 17.0018X
Label Marking Z2	II 3 G Ex ec mc IIC T6 Gc II 3 D Ex tc IIIC T85°C Dc	Certificate No.s Z2	CML 17ATEX3036X IECEX CML 17.0018X
Zoned areas	Zones 1, 21, 2, 22	IP rating	IP66 & IP67
Ambient range (max)	-40°C to +55°C		

Material	Corrosion resistant aluminium alloy with tempered glass lens. Scratch and chemical resistant hard coated polycarbonate lens available as an option (-25°C to + 55°C)
Cable entries	2 x M20 or fixed flying lead
Electrical connections	4mm ² cage clamp for single or multi-stranded conductors
Light source	High Efficiency, maintenance free, long life LED array
Light output Z1	up to 5,000lm @45W
Light output Z2	up to 6,000lm @45W
Supply voltage (s)	120V- 240V AC 50/60 Hz as standard
Installation / Mounting	Steel swivel mounting bracket
Control gear	Integral within the luminaire
Dimensions	200mm x 254mm x 257mm (As per diagram overleaf)
Wattage	45W
Weight	6kg



CIRCUIT BREAKER / INRUSH CURRENT GUIDE

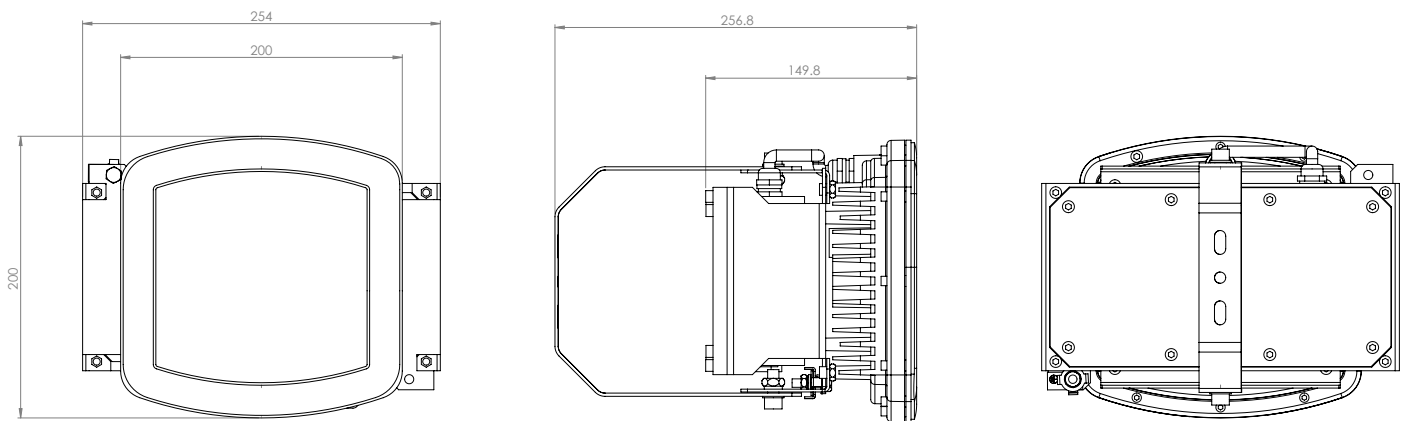
Model	No. of Luminaires per single pole Circuit Breaker				
	Type	10A	16A	20A	25A
ALED2/***/045	B	10	13	17	21
ALED2/***/045	C	17	23	28	33

Supply voltage @230 VAC, mains impedance = Ω
 In case of multi-pole CB the maximum number is reduced by 20%.

The maximum number may differ depending on CB manufacturer.

Please consult the manufacturer specifications.

Circuit Breakers with C characteristics are recommended for LED lighting circuits.



ORDERING INFORMATION

Part Number	Description	Light Output	Power consumption
ALED2/G/Z1/045	200mm Frame Zone 1 Glass Lens	4,750lm	45W
ALED2/P/Z1/045	200mm Frame Zone 1 Polycarb Lens	4,500lm	45W
ALED2/G/Z1/045/A5	200mm Frame Zone 1 Glass Lens Pre Wired	4,750lm	45W
ALED2/P/Z1/045/A5	200mm Frame Zone 1 Polycarb Lens Pre Wired	4,500lm	45W
ALED2/G/Z2/045	200mm Frame Zone 2 Glass Lens	5,750lm	45W
ALED2/P/Z2/045	200mm Frame Zone 2 Polycarb Lens	5,500lm	45W
ALED2/G/Z2/045/A5	200mm Frame Zone 2 Glass Lens Pre Wired	5,750lm	45W
ALED2/P/Z2/045/A5	200mm Frame Zone 2 Polycarb Lens Pre Wired	5,500lm	45W
ALED2/G/IND/045	200mm Frame Industrial Glass Lens	5,750lm	45W
ALED2/P/IND/045	200mm Frame Industrial Polycarb Lens	5,500lm	45W
ALED2/G/IND/045/A5	200mm Frame Industrial Glass Lens Pre Wired	5,750lm	45W
ALED2/P/IND/045/A5	200mm Frame Industrial Polycarb Lens Pre Wired	5,500lm	45W

For safer hazardous areas call us today on

0121 783 7161

sales@petrel-ex.co.uk | www.petrel-ex.co.uk

