

7 Series Ex db Fluorescent Luminaire

Zones: **1** **2** **21** **22** Cat: **2**



High efficiency Zone 1 and Zone 21 T8 Luminaire in both standard and emergency formats for use in hazardous areas. A range of sizes from 1-6ft with light output up to 12,400 Lumens. *Subject to lamp choice

Extremely versatile, allowing a wide range of lamps to be fitted from 8W to 70W. Emergency models are fitted with integral batteries (3 hour duration) and charging units for ease of fitting and maintenance. Manufactured from impact resistant polycarbonate and high specification marine grade aluminium, the fitting is supplied anodised and painted.

- ✓ Can be used in high ambient temperatures (up to 55°C 8w 52°C)
- ✓ 230v 50/60Hz as Standard Check for alternative voltages
- ✓ -20°C to +55°C (subject to lamp and ambient temperature combinations, ask for details)
- ✓ 8w (T5), 18w, 36w, 58w, 70w (T8) (Lamps not provided)



Specifications & Options



Label Marking	II 2 G Ex db IIB/IIC Gb T* Ex tb IIIC T* Db	Certification standards	EN 60079, IEC 60079
Zoned areas	Zones 1, 2, 21 & 22	Certificate No.s	CML14ATEX 1028X IECEX CML140012X
Ambient range (max)	-20°C to +55°C (8w 52°C)	IP rating	IP66

Material	Marine grade aluminium body with high impact polycarbonate tube
Cable entries	4 x M20 iso (3 plugged) as standard other threads available
Electrical connections	3 wire and earth cable size 4mm ² max. Through wiring versions available
Light source	T8 Fluorescent (T5 Fluorescent up to 2 x 39w). Compact lamp up to 2x 55w
Light output	Various ranging from 2,300 lamp lm - 12,400 lamp lm dependant on lamp choice
Supply voltage (s)	220-240v , 120-277v call for details of versions available
Installation / Mounting	2 x M8 tapped holes. Size 1 335mm, size 2 632mm, size 4 1,242mm, size 5 1,542mm, size 6 1,806mm
Control gear	Electronic ballast
Dimensions	Size 1 448mm, size 2 752mm, size 4 1,362mm, size 5 1,662mm, size 6 1,926mm. All 158mm max diameter.
Weight	Size 1' 3kg, size 2' 5kg, size 4' 7kg, size 5' 8kg, size 6' 9kg

We offer a lighting design service

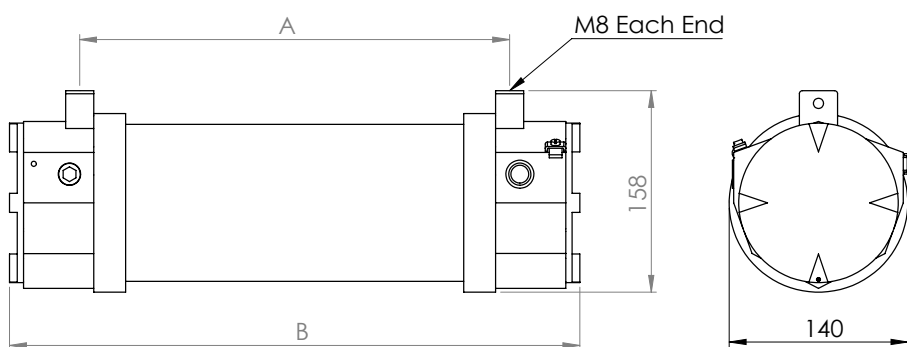
7 Series Ex db Fluorescent Luminaire



CIRCUIT BREAKER / INRUSH CURRENT

Model	B10	B16	B20	C10	C16	C20
Cable size mm²	1.5mm ²	1.5mm ²	2.5mm ²	1.5mm ²	1.5mm ²	2.5mm ²
7108/S1/HF	90	144	181	90	144	181
7208/S1/HF	80	130	163	80	130	163
7118/S2/HF	22	37	52	44	74	104
7218/S2/HF	18	30	36	36	60	72
7136/S4/HF	19	30	36	38	60	72
7236/S4/HF	12	19	22	23	38	44
7158/S5/HF	19	40	46	29	47	59
7258/S5/HF	11	23	29	14	23	29
7170/S6/HF	10	17	21	20	34	42
7270/S6/HF	5	9	10	10	18	20

Supply voltage @230 VAC, mains impedance = 1Ω
 In case of multi-pole CB the maximum number is reduced by 20%.
 The maximum number may differ depending on CB manufacturer.
 Please consult the manufacturer specifications.
 Circuit Breakers with C characteristics are recommended for LED lighting circuits.



Size	A / mm	B / mm
1	335	448
2	632	752
4	1,242	1,362
5	1,542	1,662
6	1,806	1,926

ORDERING INFORMATION

	Part Number	Description	Light Source	Power Consumption	Size (mm)
Standard	7108/S1/HF	8w Ex d Zone 1 Luminaire	Single Tube Fluorescent	1 x 8 watt	448
	7118/S2/HF	18w Ex d Zone 1 Luminaire	Single Tube Fluorescent	1 x 18 watt	752
	7136/S4/HF	36w Ex d Zone 1 Luminaire	Single Tube Fluorescent	1 x 36 watt	1,362
	7158/S5/HF	58w Ex d Zone 1 Luminaire	Single Tube Fluorescent	1 x 58 watt	1,662
	7170/S6/HF	70w Ex d Zone 1 Luminaire	Single Tube Fluorescent	1 x 70 watt	1,926
	7208/S1/HF	2x8w Ex d Zone 1 Luminaire	Twin Tube Fluorescent	2 x 8 watt	448
	7218/S2/HF	2x18w Ex d Zone 1 Luminaire	Twin Tube Fluorescent	2 x 18 watt	752
	7236/S4/HF	2x36w Ex d Zone 1 Luminaire	Twin Tube Fluorescent	2 x 36 watt	1,362
	7258/S5/HF	2x58w Ex d Zone 1 Luminaire	Twin Tube Fluorescent	2 x 58 watt	1,662
	7270/S6/HF	2x70w Ex d Zone 1 Luminaire	Twin Tube Fluorescent	2 x 70 watt	1,926

Note: Lumen output dependant on lamp specification.

To order **Emergency** variant add **"/EM"** to part number.
 8w version available in non maintained, add **"NM"**.

For safer hazardous areas call us today on
0121 783 7161
 sales@petrel-ex.co.uk | www.petrel-ex.co.uk

